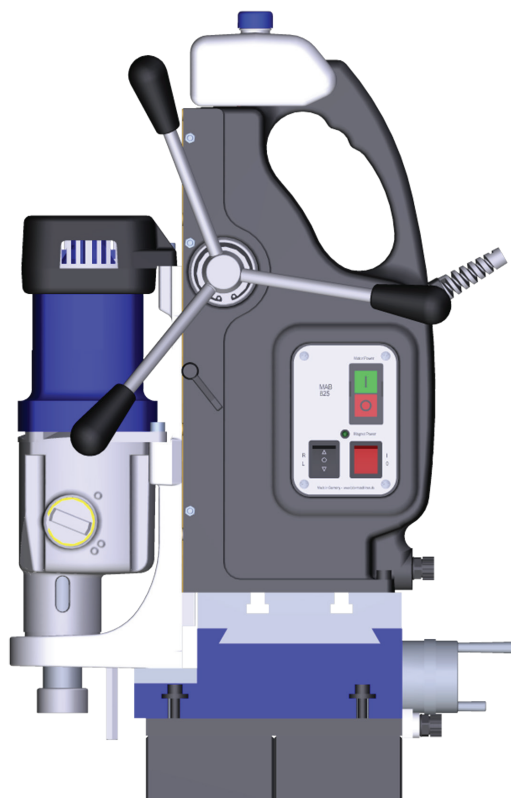


Translation of the Original Operating Instructions

MAB 825 KTS



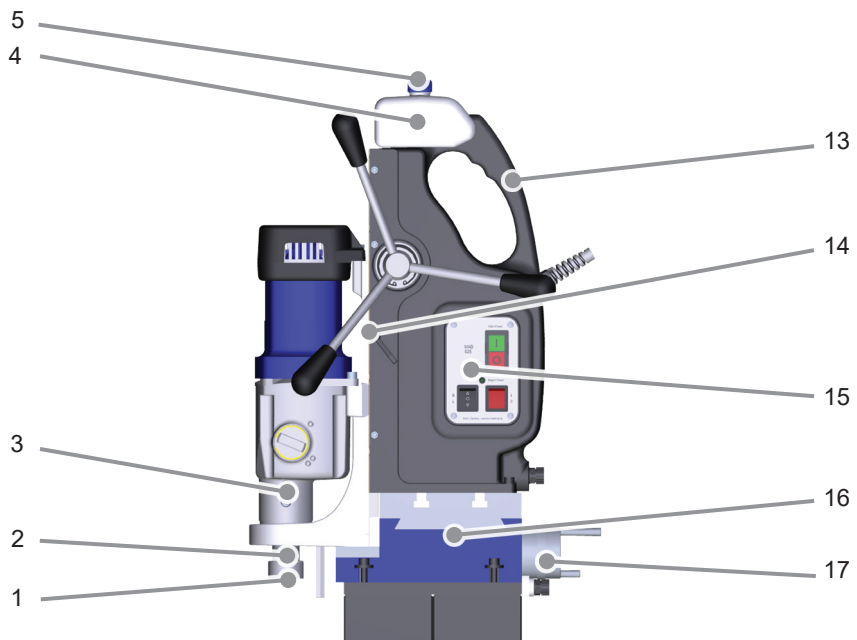
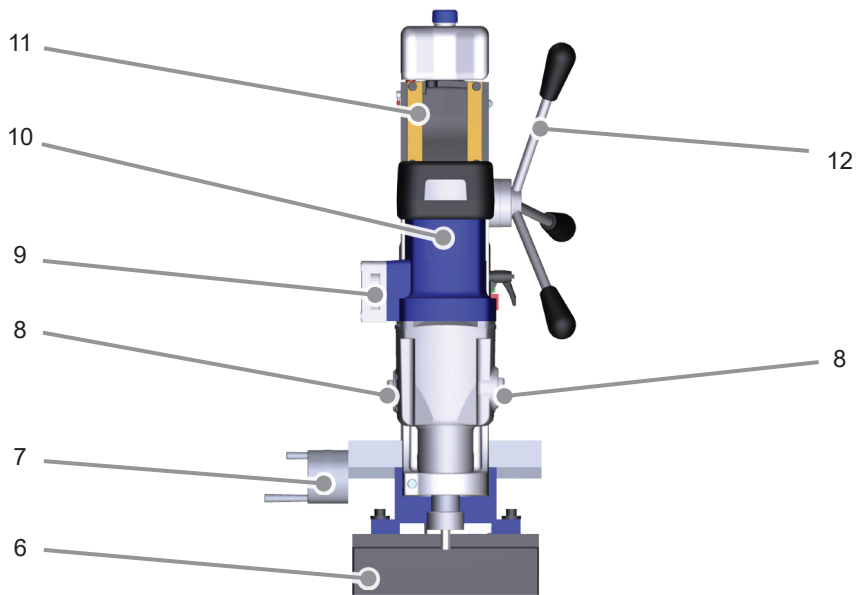


Table of Contents

General instructions3
Safety5
Components / delivery contents9
Before using for the first time10
Preparation.10
Using.14
Eliminating blockages.18
Cleaning19
Maintenance.19
Storage20
Troubleshooting21
Technical data22
EC Declaration of Conformity24

Dear Customer,
 Before using the machine, please read the operating instructions contained in these operating instructions on startup, safety, intended use as well as cleaning and care. The links and illustrations in these instructions refer to the illustrations on the inside of the cover.
 Keep these operating instructions for later use and pass them onto the next owner of the machine.

General instructions

Copyright


This document is copyrighted. Any duplication or reprinting, in whole or in part, and the reproduction of the illustrations, even in modified form, is only permitted with the written approval of the manufacturer.



Liability disclaimer


All technical information, data and instructions for commissioning, operation and maintenance of the machine contained in these operating instructions represent the latest status at the time of printing.

The manufacturer assumes no liability for damage or injury resulting from failure to observe the operating instructions, use for other than the intended purpose, unprofessional repairs, unauthorised modifications or use of non-approved spare parts and accessories, tools and lubricants.

Instructions on disposal

 The packaging materials used can be recycled. When no longer required, dispose of the packing materials according to local environmental regulations.

 This product may not be disposed of in the domestic refuse within the  European Union. Dispose of the device via communal collection points.

 The lubricant used can contain substances dangerous to the environment. Dispose of the lubricant according to local regulations. Observe the disposal instructions from the lubricant manufacturer.

Safety warning structure

The following warnings are used in these operating instructions:

DANGER

A warning of this category indicates an impending dangerous situation.

If the dangerous situation is not avoided, it may lead to serious injury or even death.

- ▶ Follow the instructions in this warning to avoid possible danger of serious injury or even death.

WARNING

A warning of this category indicates a potentially dangerous situation.

If the dangerous situation is not avoided, it may lead to injuries.

- ▶ Follow the instructions in this warning to avoid possible danger of serious personal injuries.

CAUTION

A warning of this category indicates potential danger to property.

If the situation is not avoided, it may lead to material damage.

- ▶ Follow the instructions in this warning to avoid material damage.

NOTE

- ▶ A note indicates additional information that simplifies the use of the machine.

Intended use

The machine is intended solely for drilling and light milling work in magnetic and non-magnetic metals within the limits specified in the technical data.

Any use other than previously stated is considered as improper use.

WARNING

Danger resulting from improper use!

If not used for its intended purpose and/ or used in any other way, the machine may be or become a source of danger.

- ▶ Use the machine only for its intended purpose.
- ▶ Observe the procedures described in these operating instructions.

No claims of any kind will be accepted for damage resulting from use of the system for other than its intended purpose.

The risk must be borne solely by the user.

NOTE

- ▶ If used commercially, pay attention to compliance with the accident prevention and occupational safety regulations.

Safety

CAUTION

When using electrical tools, the following fundamental precautions must be taken to protect against electric shock and the risk of injury and fire!

Fundamental safety instructions

- Do not use the machine in flammable or potentially explosive environments.
- Persons who are unable to operate the machine due to their physical, mental or motor response abilities may only use the machine under supervision of or instruction by a responsible person.
- Persons with heart pacemakers or other medical implants must not use this machine.
- Children must not be allowed to use the machine.
- Inspect the machine for visible signs of damage before use. Do not use a damaged machine.
- Before beginning work, check the condition of the safety chain and the function of the switches on the machine.
- Repairs to the mains cable may only be carried out by a qualified electrician.
- Repairs to the machine may only be carried out by an authorised specialist workshop or by the works customer service. Unqualified repairs can lead to considerable danger for the user.
- Repairs to the machine during the warranty period may only be carried out by a service centre authorised by the manufacturer otherwise the guarantee will be invalidated.
- Defective parts may only be replaced with original spare parts. Only original spare parts guarantee that the safety requirements are met.
- Do not leave the machine unsupervised during operation.
- Store the machine in a dry, temperate location out of the reach of children.
- Do not leave the machine standing outdoors and do not expose it to moisture.
- Make sure that your work area is sufficiently lit (>300 Lux).
- Do not use low-power machines for heavy working.
- Make sure that your workplace is clean.
- Keep the machine clean, dry and free of oil and grease.
- Follow the instructions on lubricating and cooling the tool.

Danger from electric current!

DANGER

Danger to life from electric current!
Contact with live wires or components can lead to serious injury or even death!

Observe the following safety precautions to avoid any danger from electric current:

- ▶ Do not open the housing of the machine. Risk of electric shock if live terminals are touched.
- ▶ Never immerse the machine or the plug into water or other liquids.
- ▶ Only use extension cables or cable drums with a cable cross-section of 1.5 mm².
- ▶ Only use extension cables that are approved for the place of work.
- ▶ Check the condition of the extension cable regularly and replace if damaged.
- ▶ Avoid direct body contact with grounded parts (e.g., tubes, radiators, steel girders) to reduce the risk of electric shock in the event of a defect.
- ▶ When using the machine outside or in a humid environment, an RCD (residual circuit device) must be used.

Risk of injury!

WARNING

Improper handling of the machine increases the risk of injury!

Observe the following safety precautions to avoid injuring yourself and/or others:

- ▶ Operate the machine only with the protective equipment specified in these instructions (see section „**Personal protective equipment**“).
- ▶ **Do not** wear protective gloves when the machine is running. A glove can be caught by the drilling machine and torn off the hand. Risk of losing one or more fingers.
- ▶ Remove loose jewellery before beginning work. Wear a hair net if you have long hair.
- ▶ Always switch off the machine before changing tools, performing maintenance or cleaning. Wait until the machine has come to a complete standstill.
- ▶ Always remove the plug from the mains socket before changing tools, cleaning or performing maintenance work in order to avoid unintentional starting of the machine.
- ▶ Do not put your hand into the machine while it is in operation. Remove swarf only when the machine is at a standstill. Wear protective gloves when removing swarf.
- ▶ When working on scaffolding, the operator must be secured with a safety belt as the machine can oscillate dangerously in the event of interruption to the power supply.

⚠ WARNING

- ▶ Check for secure clamping of the electromagnets on the substrate before every use (see section „*Preparation*“).
- ▶ Secure the machine with the safety chain (D) supplied when working in an inclined or vertical position and during overhead work. The machine could fall down if the magnet is loosened or the power fails.
- ▶ Check that the tool is tightened securely before using (see section „*Inserting the tool*“).
- ▶ Do not allow the connecting cable to hang over edges (trip wire effect).

Transporting the machine**⚠ WARNING****Danger resulting from the heavy weight of the machine!**

Due to the heavy weight of the machine, observe the following instructions

- ▶ Only transport the machine with a suitable means of transport.
- ▶ Lifting the machine manually should be carried out by two persons.
- ▶ When transporting the machine with a crane, use suitable lifting equipment. Pay attention to the carrying capacity of the lifting equipment.

Preventing damage**CAUTION****Potential damage to property if the machine is improperly used!**

Observe the following instructions to avoid damage to property:

- ▶ Before connecting the machine, compare the connection data (voltage and frequency) on the rating plate with those of your mains power supply. The data must correspond in order to avoid damage to the machine.
- ▶ Always use the handle to carry the machine and not the connecting cable.
- ▶ Do not pull the mains cable to remove the plug from the mains socket.
- ▶ Do not crush the connecting cable.
- ▶ Do not expose the connecting cable to heat or chemical liquids.
- ▶ Do not pull the connecting cable across sharp edges or hot surfaces.
- ▶ Lay the connecting cable in such a way that it cannot be caught and wound up in the rotating part of the machine.
- ▶ If the fine thread on the machine spindle is not used, always mount the protective screw connection to protect against damage to the thread.

Safety equipment

Restart protection

NOTE

- ▶ The machine stops automatically when the magnetic clamp is switched off or if the power supply is interrupted.

In order to prevent the machine from starting unexpectedly after switching on the magnetic clamp again or after reconnection following interruption to the power supply ("restart protection"), the machine must be switched on using the ON/OFF switch.

Magnet indicator

The magnet indicator provides a visual indication of the magnetic clamping force.

- Magnet indicator lights up **GREEN**:
The magnetic clamping force satisfies the minimum requirements.
Processing can take place.
- Magnet indicator lights up **RED**:
Insufficient magnetic clamping force.
Do not process with the machine. This can be the case if the material is too thin, the surface is uneven or if coated with paint, scale or zinc.

Overheat protection

The machine is also protected against overheating. If the machine becomes too hot, it switches off automatically.

Perform the following steps before continuing to work with the machine:

- Remove any blockages that may have occurred.
(see section „*Eliminating blockages*“)
- Allow the machine to run at idle for approx. 2 minutes.

The machine is then ready for operation again.

Slip clutch

If the drill blocks, the gearbox is protected by a slip clutch.




Symbols on the machine

The symbols on the machine have the following meaning:


| Symbol | Meaning |
|--------|--|
| | Electric shock hazard! |
| | Read the operating instructions before beginning work! |
| | Wear protective goggles and ear protection! |

Personal protective equipment

Wear the following protective equipment at all times when operating the machine:

| Symbol | Meaning |
|--|--|
|  | Close-fitting work protection clothing with a low tear strength |
|  | Goggles for protecting eyes against flying parts and liquids and ear protection in areas with noise emission >80 dB(A) |
|  | Safety shoes for protecting feet against falling objects. |

Also wear the following protective equipment during special work:

| Symbol | Meaning |
|---|---|
|  | Helmet for protecting your head against falling objects |
|  | Wear a harness where there is a danger of falling. |
|  | Gloves for protection against injuries |

Components / delivery contents

Machine overview

| | |
|----|---|
| 1 | Fine thread for securing the optionally supplied collet chuck |
| 2 | Machine spindle with MK3 cone |
| 3 | Opening for ejector pin |
| 4 | Cutting oil tank |
| 5 | Filler neck for cutting oil |
| 6 | Magnetic foot |
| 7 | Rotary grip for cross table operation Travel in X-axis direction |
| 8 | 4-speed gearbox with selector |
| 9 | Speed and torque controller |
| 10 | Engine drive |
| 11 | Machine slide and guide |
| 12 | Hand lever |
| 13 | Handle |
| 14 | Locking lever for the machine slide |
| 15 | Operating panel |
| 16 | Cross table |
| 17 | Rotary grip for cross table operation Travel in Y-axis direction |

Operating panel

| | |
|--------------|------------------------------|
| (see fig. 1) | |
| 21 | Motor ON/OFF switch |
| 22 | Magnet ON/OFF switch |
| 23 | Direction of rotation switch |
| 24 | Magnet indicator |
| (see fig. 2) | |
| 31 | Speed setting |
| 32 | Torque setting |

Delivery contents

| | |
|---|--|
| | MAB 825 KTS core drilling machine |
| A | ZAK 075 ejector pin |
| B | ZAK 090 ejector pin |
| C | ZAK 100 ejector pin |
| D | ZAK 120 ejector pin |
| E | Safety chain |
| F | MK3 ejector pin |
| G | MK3/19 mm Weldon industrial holder |
| H | MK3/32 mm Weldon industrial holder |
| I | Hexagonal offset screwdriver, size SW 5 |
| J | Hexagonal offset screwdriver, size SW6 |
| | Protective screw connection for protecting the fine thread (1) (not illustrated) |
| | Wooden transport box (not illustrated) |
| | Operating instructions/guarantee card (not illustrated) |

Before using for the first time

Transport inspection

As standard, the machine is supplied with the components indicated in the „**Delivery contents**“ section.

NOTE

- ▶ Check for visible signs of damage or missing items on delivery. Report an incomplete or damaged delivery to your supplier/retailer immediately.

Preparation

This section contains important instructions on the required preparation before beginning any work.

Additional safety measures for certain work

Additional safety precautions must be taken for the following operations with the machine:

Non-horizontal work position

WARNING

Risk of injury from a falling machine.

When working in inclined or vertical position and during overhead work, the machine must be secured to prevent it from falling using the safety chain (E) supplied.

- ▶ Check the safety chain for proper function before every use. A damaged safety chain must not be used. Replace a damaged safety chain immediately.

⚠ WARNING

- ▶ Attach the safety chain in such a way that the machine moves away from the operator in the event of slipping.
- ▶ Lay the safety chain as tightly as possible around the handle of the machine.
- ▶ Check the secure fitting of the safety chain and lock before starting work.
- ▶ Use the protective equipment stipulated in the section „*Personal protective equipment*“.

Work on scaffolding**⚠ WARNING****Risk of falling from sudden oscillating movements of the machine.**

When working on scaffolding, the machine can make a sudden oscillating movement on starting or in the event of interruption to the power supply.

- ▶ Secure the machine with the safety chain (E) supplied.
- ▶ Wear a safety harness to protect yourself against falling.

Check the condition of the substrate

The magnetic clamping force is dependent on the condition of the substrate. The clamping force is significantly reduced by paint, zinc and scale coatings and rust.

The substrate must satisfy the following conditions in order to achieve sufficient magnetic clamping force:

- The substrate must be magnetic.
- The clamping surface and the magnetic foot (6) must be clean and grease-free.
- The clamping surface must be completely smooth and level.

NOTE

- ▶ Clean the substrate and the magnetic foot (6) of the machine before use.
- ▶ Remove any unevenness and loose rust from the substrate.
- ▶ The BDS range of accessories includes special holding devices.

The best clamping effect is obtained on low-carbon steel substrate with a thickness of at least 20 mm.

Steel with low thickness

When drilling into low thickness steel, an additional steel plate (minimum dimensions 200 x 200 x 20 mm) must be placed under the workpiece. Secure the steel plate to prevent it from falling.

NF metals or workpieces with an uneven surface

A special holding device must be used when drilling into NF metals or into workpieces with an uneven surface.

NOTE

- ▶ BDS offers a range of accessories with special clamping devices for tubes and non-magnetic materials.

Inserting the tool

WARNING

Risk of injury!

- ▶ Do not use damaged, contaminated or worn tools.
- ▶ Change tools only when the machine is switched off and at a standstill. Pull the plug out of the mains socket.
- ▶ After inserting, check that the tool is engaged securely.
- ▶ Only use tools, adapter and accessories that match the machine.

The machine is equipped with an MK tool holder.

Depending on the type of tool to be used, corresponding drill chucks, quick-clamping systems or adapters must be used.

| Tool with: | Tool holder to be used |
|--------------------|--|
| MK3 cone | Insert directly into the spindle taper (2). |
| MK2 cone | Use MK3:2 adapter sleeve (available as accessory). |
| 19 mm Weldon shaft | Use MK3 industrial holder/19 mm Weldon (G). |
| 32 mm Weldon shaft | Use MK3 industrial holder/32 mm Weldon (H). |
| Straight shaft | Use drill chuck with MK3/B16 tapered mandrel (available as accessory). |
| Thread tap | Use the appropriate adapter for drill taps (available as accessory). |
| Shank cutter | BDS ZSF316 collet chuck |

Tool/industrial holder

Inserting the tool

- ◆ Before fitting, clean the tool shank, adapter or industrial tool holder and the spindle taper (2) of the machine.
- ◆ Insert the tool into the spindle taper (2) of the machine from below.

NOTE

- ▶ When using tools/adapters with MK2 taper, use MK3:2 adapter sleeve.

Removing the tool

- ◆ Turn the tool until the ejector pin (F) slips into the opening for the ejector pin (3).
- ◆ Prise out the tool with the ejector pin (F) or loosen the tool by tapping against the ejector pin.

Weldon industrial tool holder (Fig. 3)

Inserting the tool

- ◆ Insert the MK3/19 mm or 32 mm Weldon (G, H) into the spindle taper (2) of the machine.
- ◆ Before inserting, clean the Weldon shank of the tool and the tool holder.
- ◆ Loosen both hexagonal socket screws in the tool mount (G, H) with the corresponding Allen wrench (I, J) supplied.

- ◆ Insert the tool into the tool mounting (G, H).

NOTE

- ▶ Insert the appropriate ejector pin (A,B,C,D,) before inserting a core drill.

- ◆ Tighten both hexagonal socket screws in the tool mount (G, H) with the corresponding Allen wrench (I, J) supplied.

Removing the tool

- ◆ Loosen both hexagonal socket screws in the tool mount (G, H) with the corresponding Allen wrench (I, J) supplied and remove the tool from below.

Using the drill chuck**⚠ WARNING****Risk of injury!**

An insufficiently secured tool can lead to serious injuries.

- ▶ Turn the drill chuck only with the chuck key provided.
- ▶ Always remove the chuck key from the drill chuck after tightening or loosening.

Inserting the drill chuck

- ◆ Insert the drill chuck onto the tapered mandrel and insert the combination into the spindle taper (2) of the machine. If necessary, use an adapter sleeve.

- ◆ Open the drill chuck and insert the tool into the drill chuck.
- ◆ Close the drill chuck by hand and then turn the drill chuck with the chuck key.

Removing the drill chuck

- ◆ Loosen the drill chuck with the chuck key and remove the tool.

Adapter for drill taps (Fig. 4)**Inserting the tool**

- ◆ Insert the drill tap into its matching adapter.
- ◆ Insert the drill taps with adapter into the corresponding MK3 industrial holder/19 mm or 32 mm Weldon (G, H).
- ◆ Tighten both hexagonal socket screws in the tool mount (G, H) with the corresponding Allen wrench (I, J) supplied.

Removing the tool

- ◆ Loosen both hexagonal socket screws in the tool holder (G, H) with the corresponding Allen wrench (I, J) supplied and remove the drill taps with adapter from below.
- ◆ Remove the drill tap by pulling it downwards out of its adapter.

Using the collet chuck (optional)

Inserting the tool

- ◆ Remove the protective screw connection from the spindle of the machine.
- ◆ Keep the protective screw connection in a safe place.
- ◆ Insert the ZSF 316 chuck collet into the spindle taper (2) and secure the tool with the union nut.
- ◆ Screw in the desired collet with the clamping nut.

Removing the tool

- ◆ Loosen the clamping nut and remove the collet.
- ◆ Unscrew the union nut and remove ZSF 316 collet chuck from the spindle taper (2).
- ◆ Screw the protective screw connection onto the spindle.

CAUTION

- ▶ If the fine thread on the machine spindle is not used, always mount the protective screw connection to protect against damage to the thread.

Using

Activating/deactivating the magnetic clamp

Activating the magnetic clamp

CAUTION

- ▶ To prevent the magnet from overheating, switch on the magnetic clamp only when the machine is standing on a magnetic substrate.
- ◆ Turn on the switch (22). The indicator lamp in the switch (22) lights up.
- ◆ Check the magnet holding force with the magnet indicator ("MAGNET POWER" (24) indicator light).

| MAGNET POWER indicator light | Magnetic holding force condition |
|------------------------------|-------------------------------------|
| GREEN | Sufficient magnetic holding force |
| RED | Insufficient magnetic holding force |

CAUTION

- ▶ The maximum magnetic clamping force is only available after switching on the motor.

Deactivating the magnetic clamp

- ◆ Hold the handle tightly (13) to stop the machine from slipping.
- ◆ Turn off the switch (22). The indicator lamp in the switch (22) extinguishes.

Switching the machine ON/OFF

- ◆ Using the ON/OFF switch (21), turn the machine ON with the green button (I) and OFF with the red button (O).

NOTE

- ▶ The machine can only be switched on when the magnetic clamp has been switched on.
- ▶ Allow a severely overheated machine to run on at idle speed for approx. 2 minutes.
- ▶ The machine switches off automatically in the event of a power failure or if the magnetic clamp is switched off.

Selecting the speed range

CAUTION

- ▶ Switch the gear stages only with the machine at standstill.

NOTE

- ▶ Select the speed range according to the material and drilling diameter.

The machine is equipped with a gearbox that has four mechanical gear stages. The gear stage is set using both selector levers (8) on the side of the gear box.

- ◆ To select the desired gear stage, switch the machine off and set both selector levers (8) to the desired speed as shown in the table below.

| Gear level | Max. speed | Selector lever | |
|------------|------------|----------------|-------|
| | | left | right |
| Level 1 | 110 rpm | ● | ●● |
| Level 2 | 175 rpm | ● | ● |
| Level 3 | 370 rpm | ●● | ●● |
| Level 4 | 600 rpm | ●● | ● |

Setting the speed

In addition to the mechanical gearbox, the machine is also equipped with full-wave control electronics for stepless variable speed adjustment.

- ◆ First set the appropriate gear stage, then adapt the speed using the electronic speed control (31).

| Gear stage | Speed range |
|------------|---------------|
| Level 1 | 40 - 110 rpm |
| Level 2 | 65 - 175 rpm |
| Level 3 | 140 - 370 rpm |
| Level 4 | 220 - 600 rpm |

NOTE

- ▶ If possible, always select a setting with low gear stage and high motor speed. The motor is then set with a higher torque and therefore protected against overheating under heavy load.

Setting the torque cut-off

CAUTION

- ▶ Do not use this function to switch off the machine when cutting threads in blind holes.

In order to protect the tool, the maximum torque of the machine can be set using the controller (32).

The machine switches off when it reaches the maximum set torque. After switching off, the machine must be switched off and on again using the ON/OFF switch (21).

Positioning the tool

To achieve an optimum and flexible positioning of the tool above the workpiece, the machine is equipped with a cross table (16).

This enables the tool to travel in two directions of movement.

For optimum positioning:

- ◆ Position the machine in the work area and fix by means of magnetic claps as described in the section „**Activating/deactivating the magnetic clamp**“.
- ◆ Move the tool into the desired position by turning the corresponding rotary grip (7, 17) for the X- or Y-axis direction.

Drilling with the machine

Drilling with twist drills

When drilling with twist drills, proceed as follows:

- ◆ Push twist drills with MK taper into the spindle taper (2) of the machine from below.
- ◆ Push twist drills with straight shank into the drill chuck after fitting the drill chuck.
- ◆ Position and fix the machine at the location of use and align the tool (see section „**Positioning the tool**“).
- ◆ Check the magnetic holding force (see section „**Activating/deactivating the magnetic clamp**“).
- ◆ Select a suitable speed and switch on the machine.
- ◆ Direct the drill to the material with the handle (12).

NOTE

Observe the following instructions when drilling with twist drills:

- ▶ Under excessive pressure, the drill can wear out and the machine can be overloaded.
- ▶ Make sure that swarf is removed regularly. With larger drilling depths, break up the swarf.

Drilling with core drills

When drilling with core drills, proceed as follows:

- ◆ For core drills with 19 mm Weldon shaft, mount the MK3/19 mm (G) Weldon industrial holder.
- ◆ For core drills with 32 mm Weldon shaft, mount the MK3/32 mm (H) Weldon industrial holder.

- ◆ Connect the cooling lubricant system.
- ◆ Insert the appropriate ejector pin into the core drill and insert the core drill into the tool holder.
- ◆ Position and fix the machine at the location of use and align the tool (see section „**Positioning the tool**“).
- ◆ Check the magnetic holding force (see section „**Activating/deactivating the magnetic clamp**“).
- ◆ Select a suitable speed and switch on the machine.
- ◆ Direct the drill to the material with the handle (12).

NOTE

Observe the following instructions when drilling with core drills:

- ▶ Drilling with core drills does not require great force. The drilling process is not accelerated by higher pressure. The drill wears faster and the machine can be overloaded.
- ▶ Use the high-performance BDS 5000 cutting oil in the cooling lubricant system of the machine.
- ▶ The cooling lubricant system cannot be used when working overhead. In this case, use the high-performance ZHS 400 grease spray. Spray the drill on the inside and outside before drilling. In the case of larger drill depths, repeat this procedure.
- ▶ Make sure that swarf is removed regularly. With larger drilling depths, break up the swarf.

Thread cutting

The machine is equipped with reversible direction of rotation and can also be used for cutting threads.

In order to cut threads, proceed as follows:

- ◆ Drill the hole for the thread.
- ◆ Switch off the machine and select the lowest gear stage and speed.
- ◆ Set the direction of rotation to clockwise (R) at switch (23).
- ◆ Tighten the drill tap in the machine using the appropriate drill tap adapter.
- ◆ Switch on the machine and place the drill tap onto the drilled hole.
- ◆ Use the hand lever (12) without exerting pressure to guide the machine until the desired thread length has been cut.
- ◆ Switch off the machine and set the direction of rotation to anti-clockwise (L) at switch (23).
- ◆ Switch on the machine again and allow the drill tap to completely emerge out of the workpiece. Then use the hand lever (12) to guide the machine slide upwards in order to avoid damaging the top of the thread.

Cutting

The machine is equipped with a cross table that allows traversing of the cutting head. This enables long holes to be created for example.

To cut, proceed as follows:

- ◆ Insert the tool (see section „*Using the collet chuck (optional)*“).
- ◆ Position and fix the machine at the location of use and align the tool (see section „*Positioning the tool*“).
- ◆ Check the magnetic holding force (see section „*Activating/deactivating the magnetic clamp*“).
- ◆ Select a suitable speed and switch on the machine.
- ◆ Guide the cutter to the material with the hand lever (12) and fix the machine slide at the work position with the locking lever (14).
- ◆ Move the cutter with the rotary grips (7, 17) and produce the desired hole.

To complete the cutting process:

- ◆ Switch off the machine.
- ◆ Secure the position the machine slide by holding the hand lever (12) and release the locking lever (14).
- ◆ Bring the machine slide to the upper position using the hand lever (12).

CAUTION

- ▶ Observe the limits specified in the technical data for the tools to be used.

Reaming/counter-sinking

Thanks to its wide range of operating speeds, the machine can also be used for reaming or counter-sinking.

CAUTION

- ▶ When reaming and counter-sinking, observe the limits stated in the technical data for the tools to be used.

Eliminating blockages

⚠ WARNING

Danger of cut injuries from broken tool parts or swarf.

- ▶ Put protective gloves on before starting work.

Blockages caused by a broken tool:

- ◆ Switch off the machine. Remove plug from the mains socket.
- ◆ Use the handle to move the machine slide to the upper position.
- ◆ Replace defective tool. Remove swarf.

Other blockages:

- ◆ Switch the machine off using the motor switch. Leave the magnetic clamp switched on.
- ◆ Use the handle to move the machine slide to the upper position.
- ◆ Remove swarf and check tool.

Cleaning

⚠ WARNING

- ▶ Switch off the machine and pull the plug out of the mains socket before starting maintenance and cleaning.
- ▶ When using compressed air for cleaning, wear protective goggles and gloves and protect other persons in the working area.

CAUTION

- ▶ Never immerse the machine in water or other liquids.

After each use

- ◆ Remove the inserted tool.
- ◆ Remove swarf and coolant residues.
- ◆ Clean the tool and the tool holder on the machine.
- ◆ Clean the guide of the machine slide.
- ◆ Put the machine and accessories into the transport case.

Maintenance

⚠ WARNING

Danger caused by unqualified repairs!

Unqualified repairs can lead to considerable danger for the user and cause damage to the machine.

- ▶ Repairs to electrical appliances may only be carried out by the works customer service or by specialists trained by the manufacturer.

Adjusting the machine slide guide

If the machine slide guide (11) exhibits too much clearance, it must be adjusted. To do this, proceed as follows:

- ◆ Loosen the clamping bolts.
- ◆ Tighten the adjusting screws evenly.
- ◆ Tighten the clamping bolts again.

Replacing the carbon brushes

Replacement of the carbon brushes may only be carried out by BDS or by an authorised specialist workshop. Unauthorised repairs will invalidate the guarantee.

Customer service/service

Should you have any questions on customer service/service, please contact BDS. We will be happy to give you the address of your nearest service partner.

Storage

Storage

If you do not intend to use the machine for a longer period of time, clean it as described in the section **Cleaning**. Store the machine and all its accessories in the transport case at a dry, clean and frost-free location.

| Troubleshooting | | |
|--|---|---|
| Error | Possible cause | Remedy |
| The motor does not start after pressing the ON/OFF switch or stops during operation. | Plug not inserted into socket. | Insert plug. |
| | Automatic circuit breaker tripped. | Switch on circuit breaker. |
| | The magnetic clamp is not switched on. | Switch on the magnetic clamp. |
| | Direction of rotation not selected. | Select direction of rotation. |
| | The internal safety switch has switched off the machine due to overheating. | Allow the machine to cool down. |
| | The torque cut-off was triggered. | Switch the machine off and on again. |
| The automatic circuit breaker in the electrical distribution board trips. | Too many appliances connected to the same power circuit. | Reduce the number of appliances on the power circuit. |
| | The machine is defective. | Contact customer service. |
| The magnetic clamp does not function. | Magnet not switched on. | Switch on the magnet. |
| | The surface is not magnetic. | Use a suitable base. |
| The lubrication system does not function. | No lubricant available. | Top up the lubricant. |
| | Lubricant tap closed. | Open the lubricant tap. |
| | Connecting nipple clogged. | Clean the tank and nipple. |

NOTE

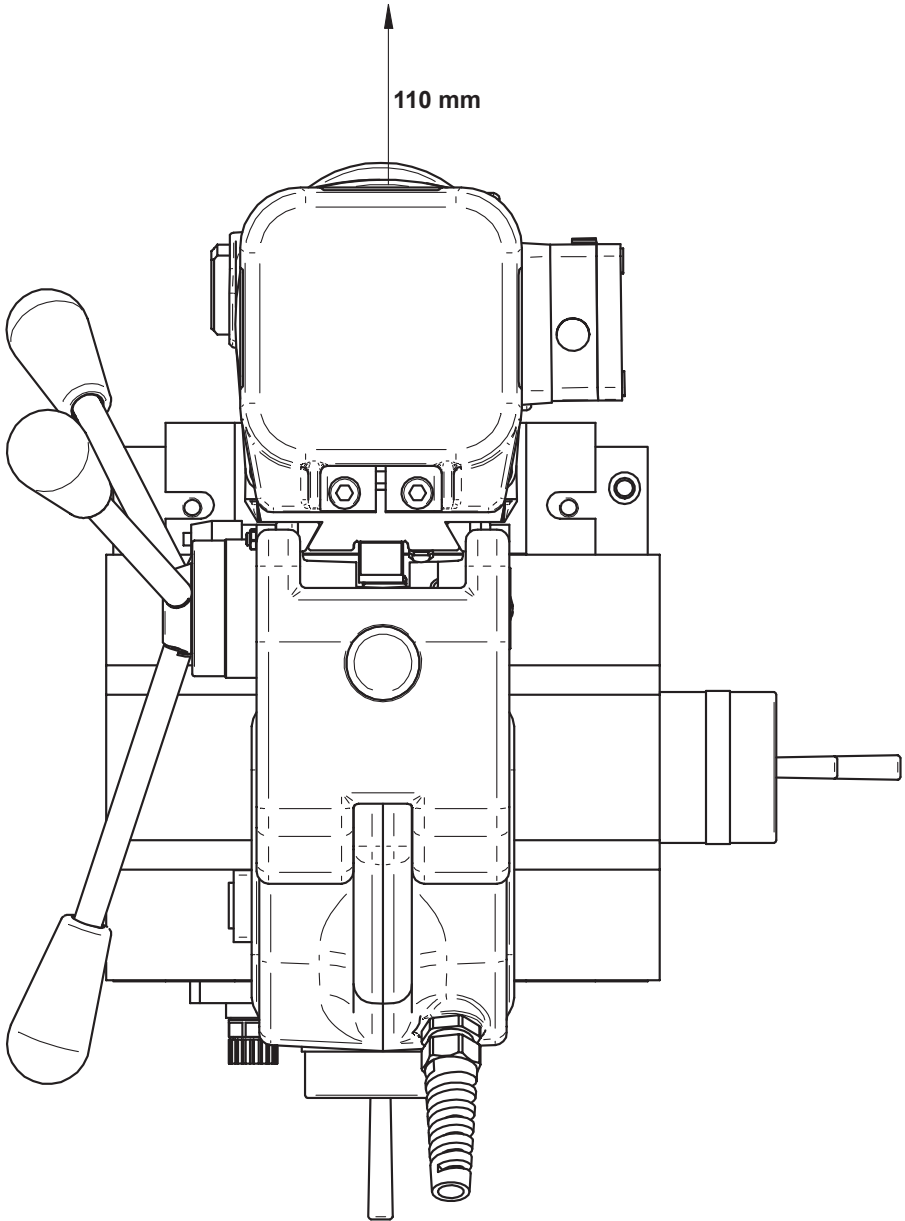
- ▶ If you cannot resolve the problem with the steps described above, please contact customer service.

Technical data

| Model | MAB 825 KTS | |
|------------------------------------|--|------------------|
| Dimensions (L x W x H) | 434 x 367 x 676 (758) | mm |
| Magnetic foot (L x W) | 220 x 220 | mm |
| Approx. net weight. | 57.5 | kg |
| Operating voltage (see type plate) | 230 V / 50-60 Hz or 110-125 / 50-60 Hz | |
| Power consumption | 1800 | W |
| Noise emission | 89 | db(A) |
| Vibration | 0.77 | m/s ² |
| Stroke | 255 | mm |
| Core drill, short Ø | 12 - 80 | mm |
| Core drill, long Ø | 12 - 80 | mm |
| Twist drill max. Ø | 31.75 | mm |
| Thread max. Ø | M30 | |
| Shaft cutter max. Ø | 16 | mm |
| Reaming max. Ø | 31.75 | mm |
| Counter-sinking max. Ø | 50 | mm |
| Speed stage 1 | n ₀ = 40 - 110 | rpm |
| Speed stage 2 | n ₀ = 65 - 175 | rpm |
| Speed stage 3 | n ₀ = 140 - 360 | rpm |
| Speed stage 4 | n ₀ = 220 - 600 | rpm |
| Thermal protection | Yes | |
| Slip clutch | Yes | |
| Variable torque | Yes | |
| Full-wave control electronics | Yes | |
| Clockwise/anticlockwise rotation | Yes | |
| Spindle taper | MK3 | |
| Core drill assembly | MK3/19 mm industrial holder MK3/32 mm industrial holder | |
| Connecting cable length | 4 | m |
| Protection class | I | |
| Protection type | IP20 | |

Travel distance

110 mm



50 mm

70 mm

EC Declaration of Conformity


| | |
|---|---|
| in accordance with Machine Directive 2006/42/EC, appendix II 1A | |
| Name/address of the manufacturer: | BDS Maschinen GmbH Martinstraße 108 D-41063 Mönchengladbach |
| We hereby declare that the product: | |
| Model: | Magnetic core drilling machine |
| Model | MAB 825 KTS |
| conforms to the following relevant regulations: <ul style="list-style-type: none"> ■ EC Directive 2006/42/EC on machinery | |
| The following harmonised standards were applied in whole or in part: <ul style="list-style-type: none"> ● DIN EN ISO 12100:2011-03 ● DIN EN 62841-1:2016-07 | |
| Authorised person for compiling the technical documentation: | BDS Maschinen GmbH |
| Full technical documentation is available. The operating instructions associated with the product is available. | |
| It is required that the product is only operated as intended. Information on operating as intended can be obtained from the technical documentation. | |
| Mönchengladbach, 1st September, 2016 |  Wolfgang Schroeder, Technical Director _____ (Legally binding signature of the issuer) |

Fig. 1

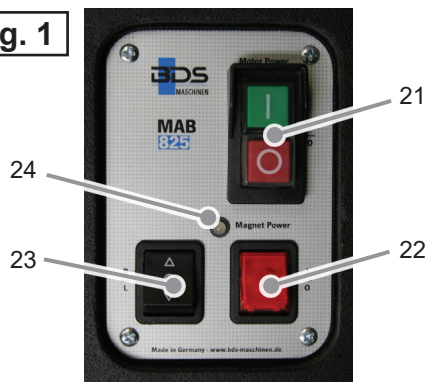


Fig. 2

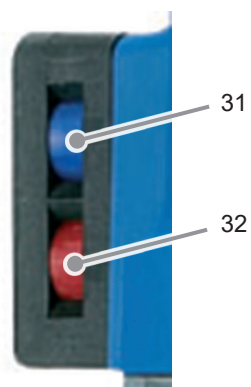


Fig. 3



Fig. 4



A, B, C, D

E

F

G, H

I, J



BDS Maschinen GmbH

Martinstraße 108
D-41063 Mönchengladbach

Fon: +49 (0) 2161 / 3546-0

Fax: +49 (0) 2161 / 3546-90

Internet: www.bds-maschinen.de

E-Mail: info@bds-maschinen.de
