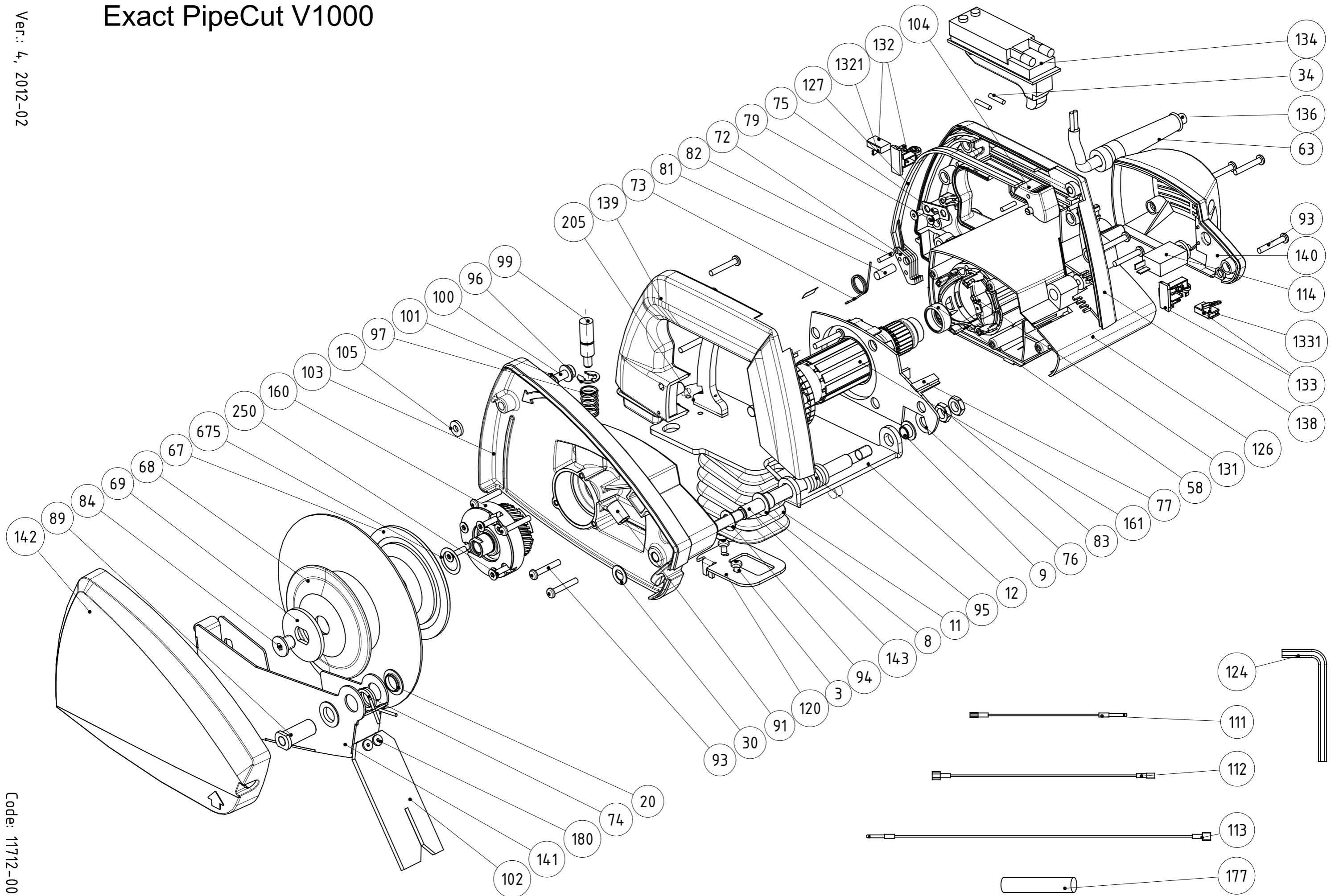


# Exact PipeCut V1000



# Exact PipeCut V1000

