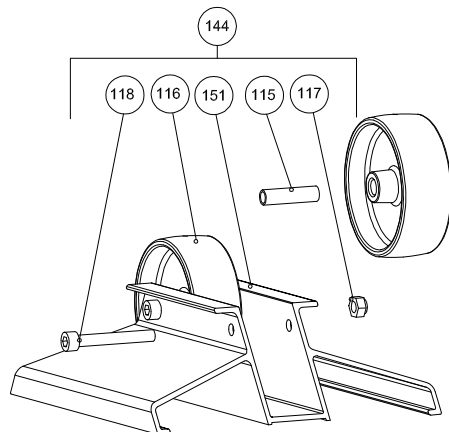
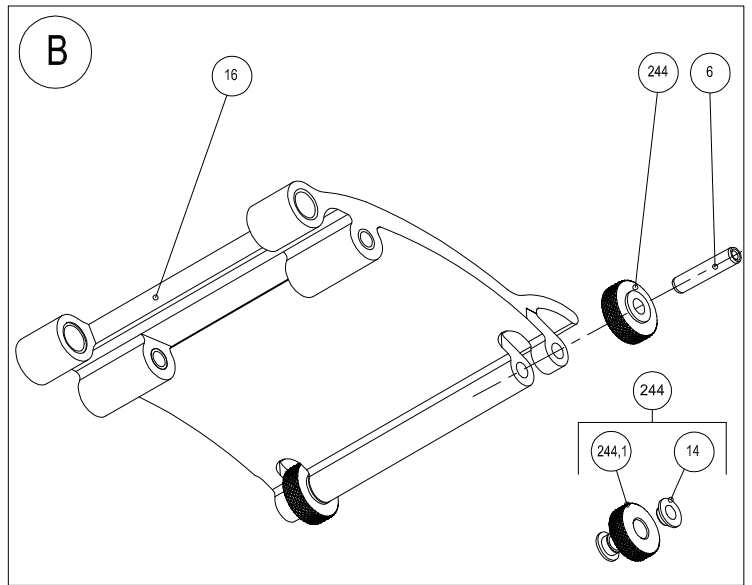
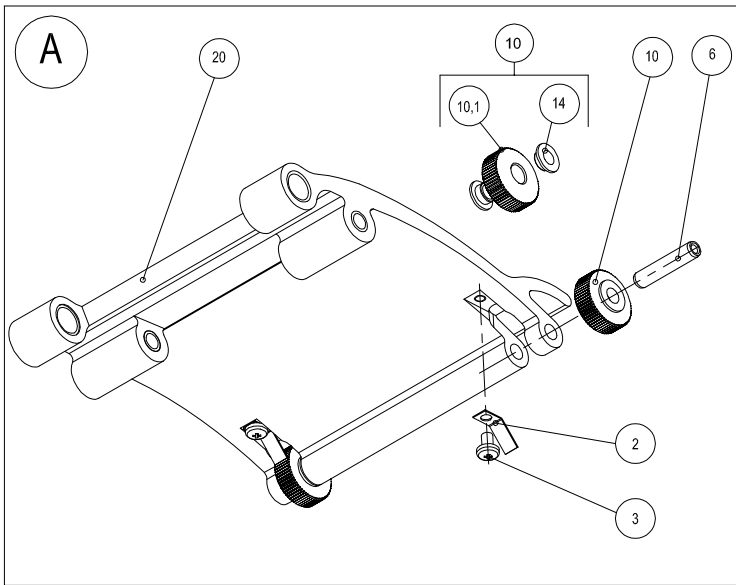
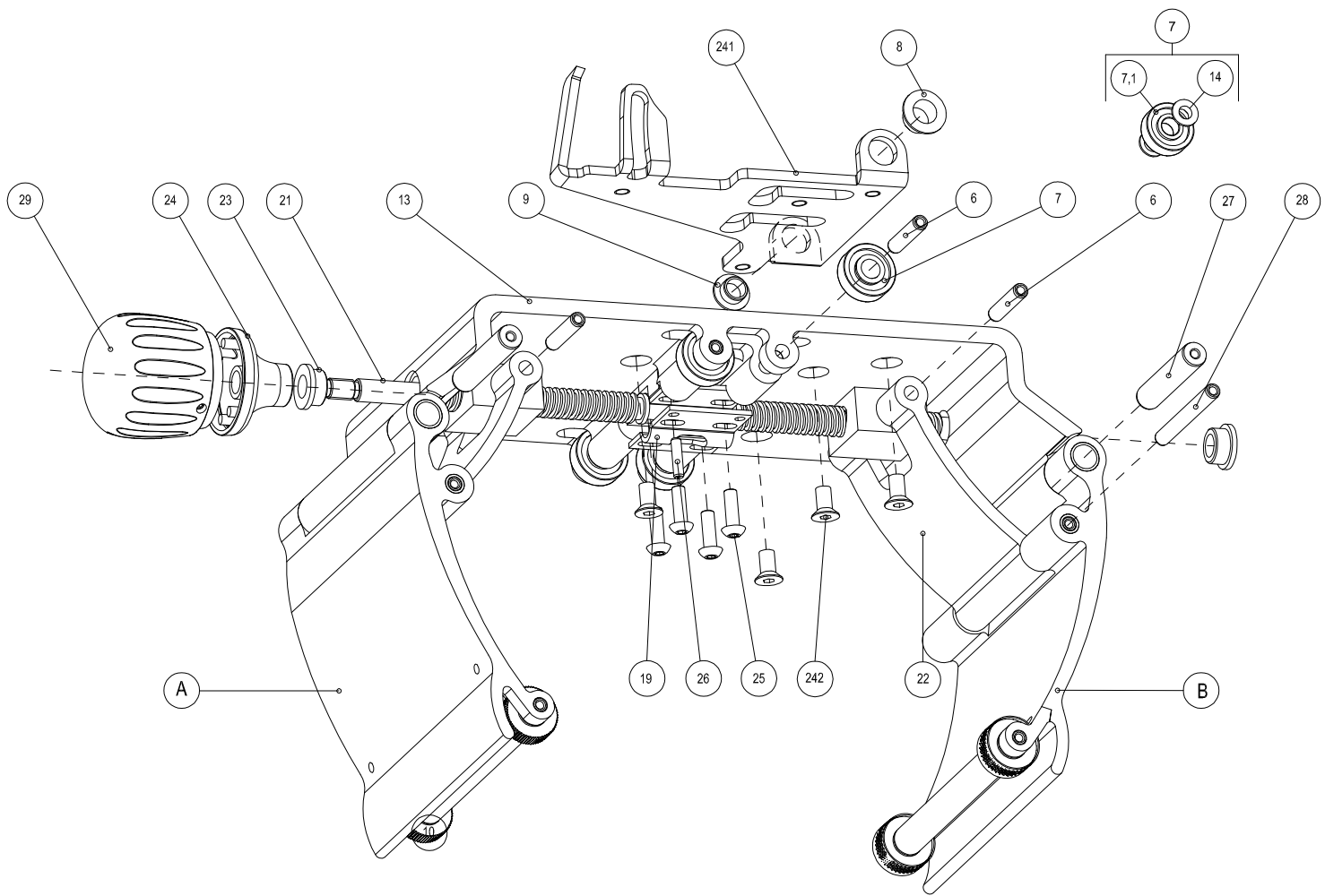


Ver: 3, 2017-03

Koda: 15353-05



Exact PipeBevel 220E

Pos.	Part n:o	Description	Pcs/unit
2	11503-10	Ratchet spring	2
3	249424-01	Screw M4x8 ISO 7380	3
6	11001-01	Dowel pin 6x28	12
7	11564-10	Bearing 608 2RS SA	4
7,1	11564-00	Bearing 608 2RS	4
8	11566-00	Flange bearing GFM-1012-09	1
9	11567-00	Flange bearing GFM-0810-05	1
10	11501-10	Guidance wheel 22 mm SA	2
10,1	11501-00	Guidance wheel 22 mm	2
11	11497-00	Protection bellows	1
13	10901-15	Body profile220 painted	1
14	11565-00	Flange bearing GFM 0608-04	16
16	11116-10	Turning profile RH	1
19	10910-30	Attachment block	2
20	11115-10	Turning profile LH	1
21	11664-10	Trapeze PB220E and nuts 17,18	1
22	10915-00	Pulling profile painted	2
23	10916-00	Screw support sleeve	2
24	10914-01	Rotary protector	1
25	590872-10	Cap head screw M5x16 ISO 7380	4
26	11258	Spring pin (Rolled pin)	1
27	11001-04	Dowel pin 10x50	4
28	11001-03	Dowel pin 6x60	4
29	10913-00	Gripper knob - service	1
34	11616-20	Silicon tube	3
37	725886	Self-lock hex nut M8 DIN985	1
58	11555-00	Rubber bushing	1
63	10951-10	Protective cable sleeving	1
64	11574-50	Field cable extension	1
70	11564-10	Bearing 608 2RS - assambly	1
76	249223-00	Washer 8,4x16 DIN125A	1
77	11540-50	Air deflector	1
79	11561-20	Screw M3x6 DIN7991	1
82	10983-04	Dowel pin 3x12	1
83	10985-00	Hex nut M8x1 DIN439	2
93	10986-03	PT Screw 4x20	9
935	10986-04	PT Screw 4x22	4
95	11550-00	Lifting spring	2
103	15318-00	Gearcase machined PB	1
104	11538-01	Locking lever	1
124	725927	Allen key 5 BLACK	1
126	11526-70	Motor Body - GREY	1
127	11539-00	Draw bar	1
128	11556-00	Temperature Sensor	1
129	11573-01	Electronics Unit 230V SA	1
129	11573-51	Electronics Unit 100 - 120V SA	1
130	15378-00	Rotor assambly E 230V	1
130	15378-50	Rotor assambly E 110-120V	1
131	11554-00	Field Coil 100 - 230V E SA	1
132	11587-50	Brush Holder SWU 100 - 120V	1
132	11559-50	Brush Holder SWU 230V	1
1321	11625-50	Brush 100-120	2
1321	11624-50	Brush 230V	2
134	11797-00	Electric switch Marquard	1
135	11560-00	Speed Sensor	1
136	10949-01	Power cord EU	1
136	11021-01	Power cord UK 3-pin round	1
136	11023-11	Power cord US	1

Pos.	Part n:o	Description	Pcs/unit
138	11530-75	Motor frame handle left GREY	1
139	11534-75	Motor frame handle right GREY	1
140	11518-00	End cap E Grey	1
144	11009-20	Pipe holder 220 complete	2
145	10973-11	Carry bag Exact 200,220E, 360	1
180	15314-35	Strain relief	1
186	249412-11	Screw M4x8 DIN965 zn black	5
187	15317-00	Main axis PB	1
192	15379-00	Transfer assembly - vertical	1
193	744361	Washer 10x16/0.5 DIN988	1
201	15380-00	Transfer assembly - horizontal	1
207	15352-05	Knob spring	1
213	15332-05	Knob	1
214	744628	Matica varov. M6 DIN985 ZN	1
215	10248-00	Washer 12x18/0.5 DIN988	1
216	15333-00	Sensor plate	1
218	15336-01	Screw KBL 35x84/36	1
227	15342-00	Tool shaft assembly	1
228	15343-00	Needle Bearing	1
229	725269	Washer A5,3	4
230	10975-01	Screw M5x16 DIN912 zn white	5
231	10976-12	Screw M6x12 DIN912 zn black	1
232	15344-00	Finger screw M4x16 DIN464	1
233	11794-20	Friction part	1
234	10983-10	Dowel pin 6x60 DIN7	1
235	15260-10	Plug fi6	1
236	15345-00	Screw M5x7	1
237	15346-00	Bevel blade assambly	1
238	15347-01	Blade cover	1
241	15350-05	Body panel PB	1
242	10080-10	Screw M6x12 DIN7991 black	4
244	15351-10	Guidance wheel plaid 22 SA	2
244,1	15351-00	Guidance wheel plaid 22	2
246	15359-00	Grid	1
248	15439-00	Pin guide	1
249	10248-10	Washer 8x14/0.2 DIN988	1
255	325880-04	Pin 3x18 DIN6325	1
256	10983-05	Dowel pin 3x8 DIN 7	1
258	15315-00	Accordion base plate PB	1
259	15316-35	Fork	1
A	11029-10	Turning profile left PB220E SA	1
B	11028-10	Turning profile right PB220E SA	1